

INSTALLATIONSVEJLEDNING
MONTAGEANWEISUNG
INSTALLATION INSTRUCTION
INSTRUCTIONS D'INSTALLATION
INSTALLATIE INSTRUCTIES
ISTRUZIONI DI INSTALLAZIONE
INSTRUCCIONES DE INSTALACIÓN

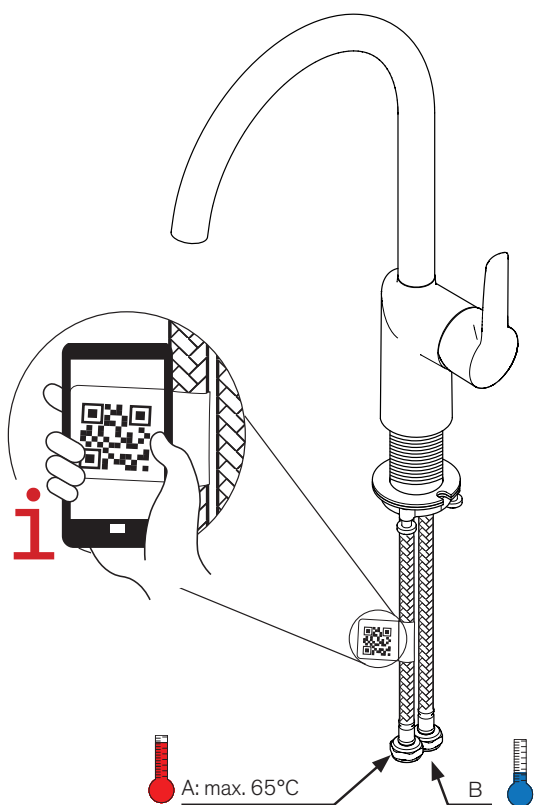
damixa

FM Mattsson Danmark ApS

Hvidkærvej 48, 5250 Odense SV
 Abildager 26a, 2605 Brøndby
 Tlf. +45 88 33 00 34
 damixa-international@fmm-mora.com
 www.damixa.com

Rev. 001
 13/10/2023
 2033300

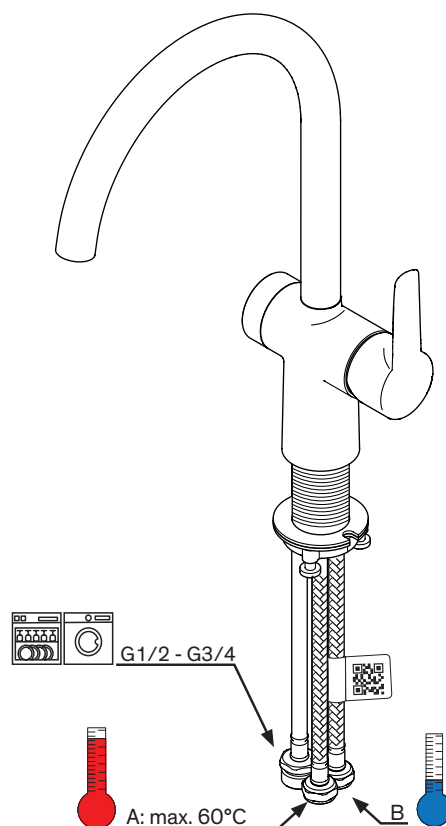
[1]: Without dishwasher shut off valve



A, B: 50 - 1000 kPa (0.5-10 bar)

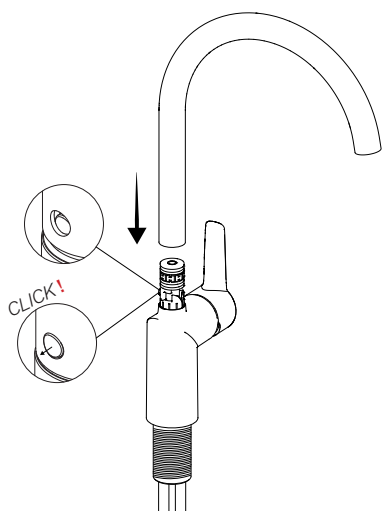
A[1]

[2]: **With** dishwasher shut off valve

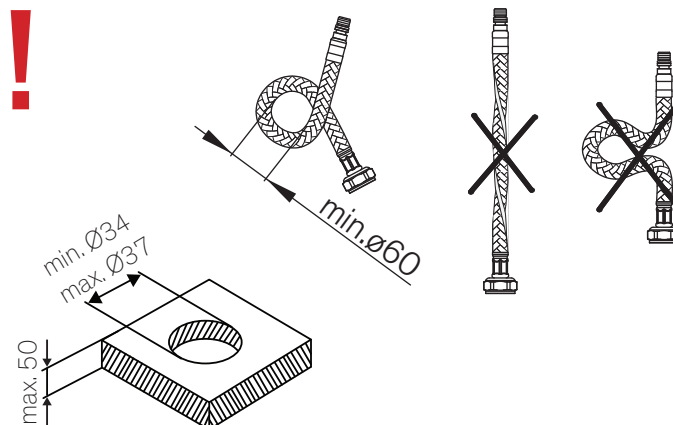


A, B: 50-1000 kPa (0,5-1 bar)

A[2]

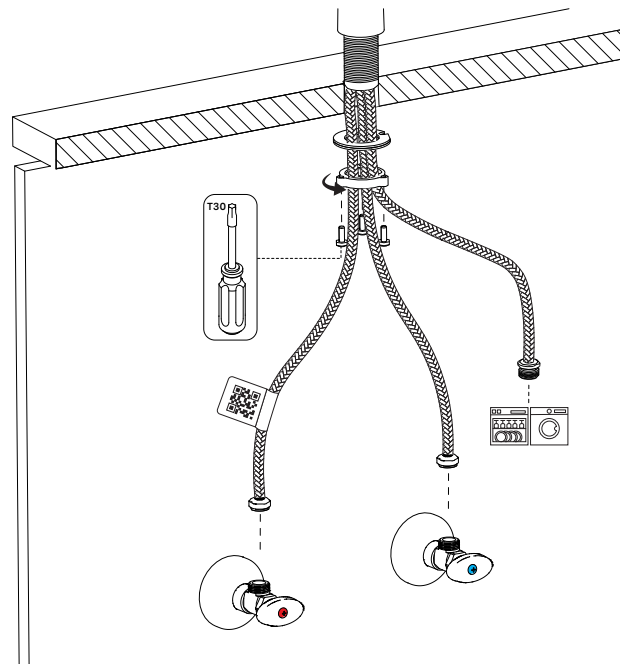
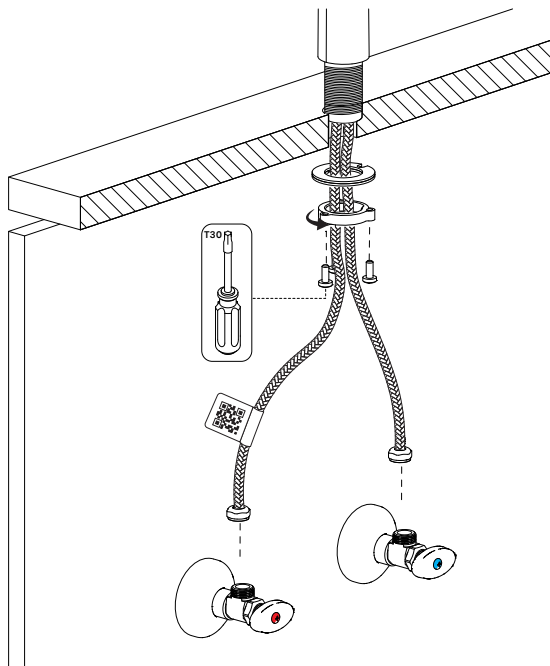


C

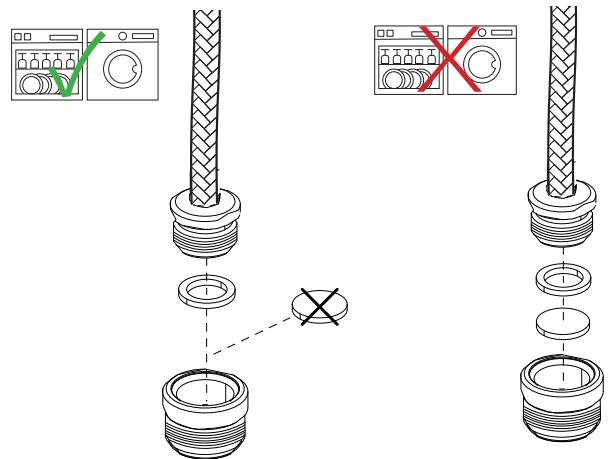
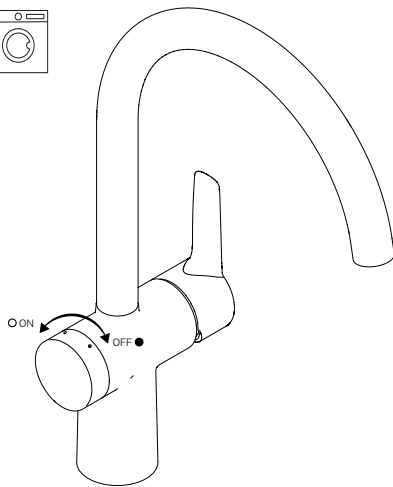


[1]: Without dishwasher shut off valve

[2]: **With** dishwasher shut off valve

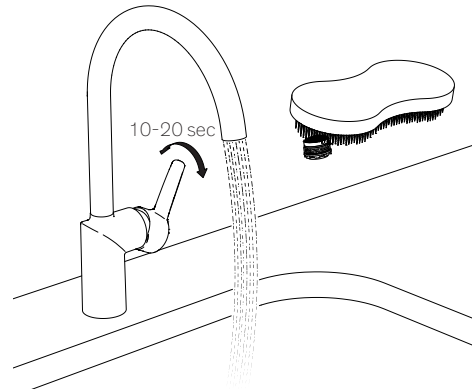
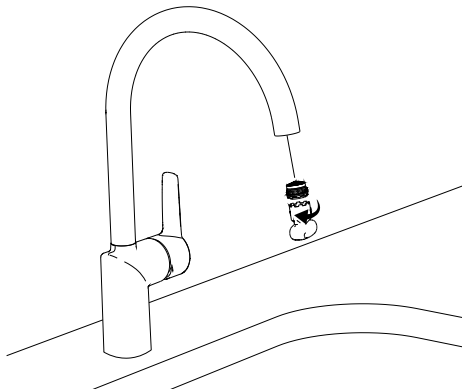


D [1]



F [2]

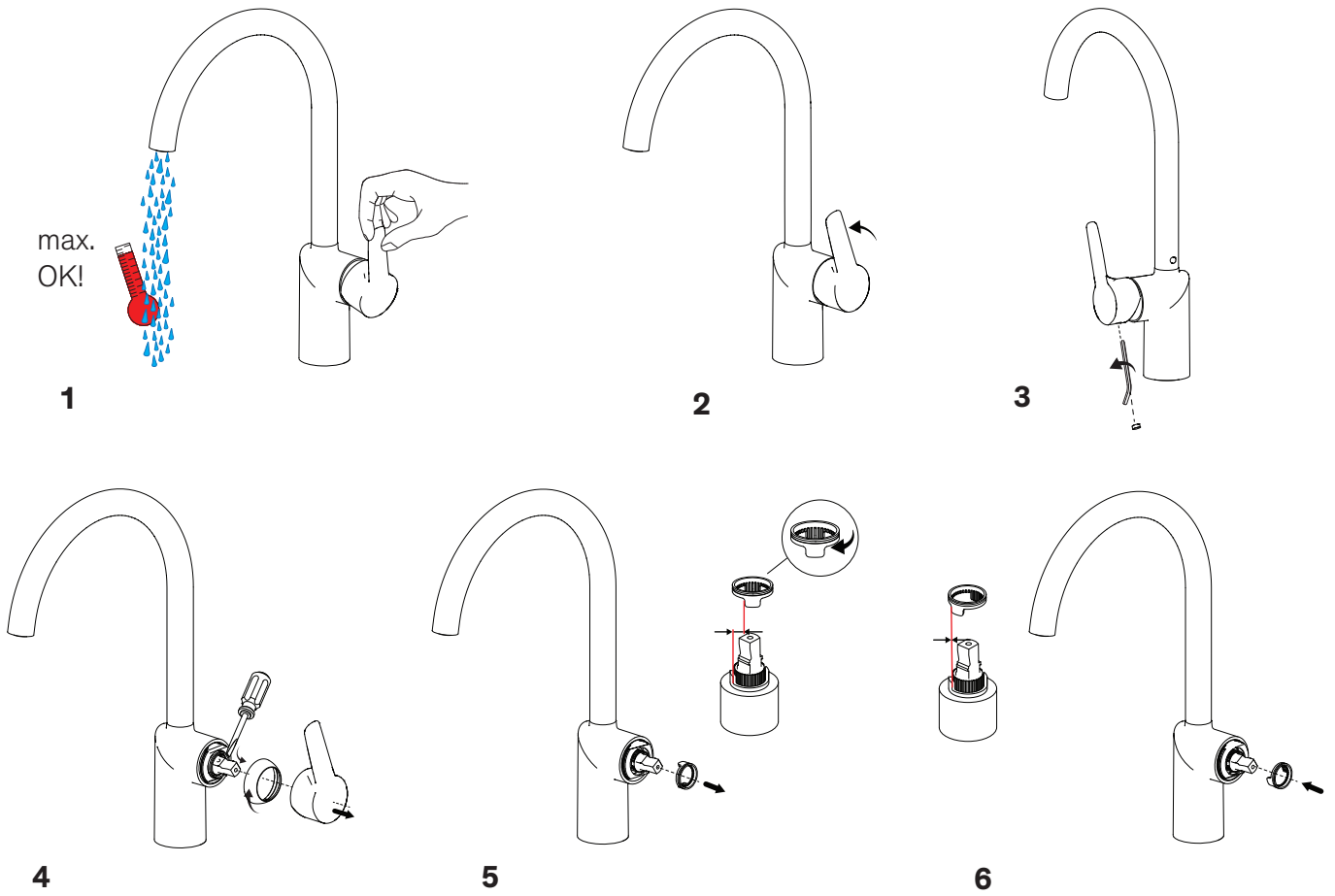
E [2]



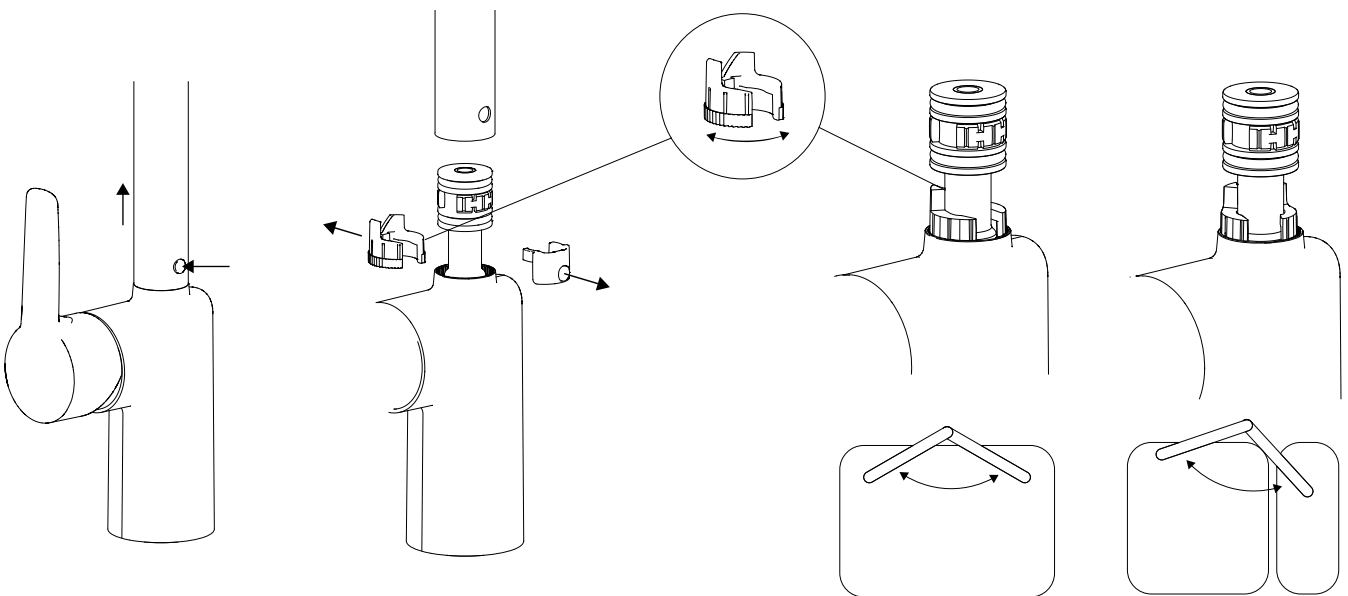
G

H

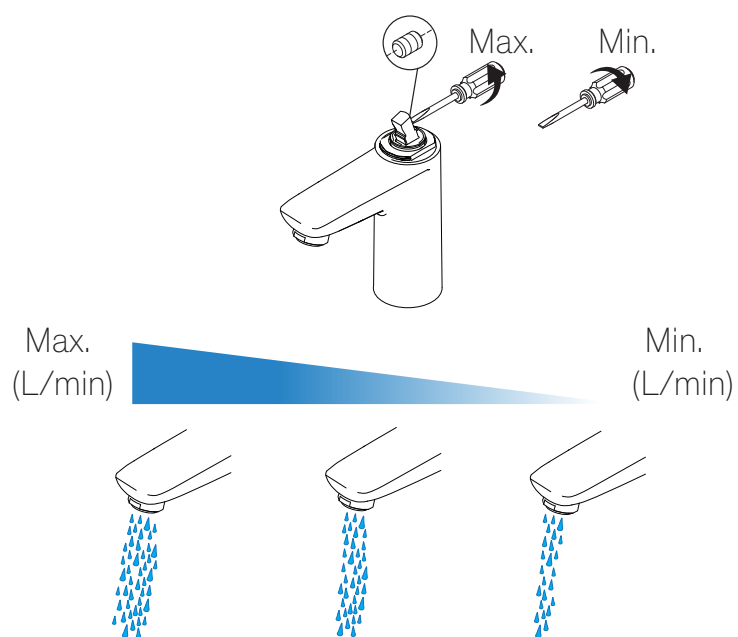
Temperature-limiter | Temperaturbegrænser



110° Swivel spout | 110° Svingbar tud



Flow Limiter | Flowbegrænser



Rup-Clean

